

GEKO IRN

LED ILLUMINATOR

MAIN FEATURES

High efficiency ultimate SMD LED technology
 High efficiency heat sink body to ensure maximum LEDs durability
 Strong aluminium structure
 Vandal-proof protection (IK10)
 The illuminator is supplied in 12-24Vdc/24Vac or 90-240Vac
 Beam patterns: 10°, 30°, 60°
 Wavelengths: 850nm, 940nm, white light
 Consumption: 30W
 Adjustable light intensity
 Adjustable built-in photocell
 VOLT-free relay input for external activation
 VOLT free relay output for Day/Night camera
 Supplied with a wall-mount bracket
 IP66/IP67

DESCRIPTION

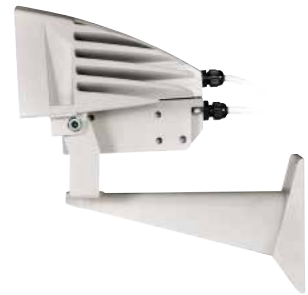
The GEKO lights the entire scene evenly, eliminating hotspots and underexposures, for unbeatable night-time images and secure surveillance of the area.
 The high efficiency heat sink body ensures maximum LED durability and protection against over-temperatures, whereas the front glass, made of special technopolymer, provides high infrared transmittance.
 The illuminators are protected against electrostatic discharges.
 The illuminator is available in versions 24Vac/12-24Vdc or 100-240Vac with integrated power supply.
 GEKO is supplied with a wall-mount bracket that rotates horizontally and vertically.



GEKO IRN 24VAC/12-24VDC WHITE LIGHT



GEKO IRN 24VAC/12-24VDC



GEKO IRN 90-240VAC

GEKO IRN - CONFIGURATION OPTIONS

| | Beam patterns | Power supply | Wavelength | | Version | |
|------------|------------------|--------------------------|----------------------|----------|-----------------------------|-----------|
| IRN | 10 Narrow | A 90-240Vac | 8 850nm | A | S Single illuminator | 00 |
| | 30 Medium | B 12-24Vdc, 24Vac | 9 940nm | | | |
| | 60 Wide | | W White light | | | |

TECHNICAL DATA

GENERAL

Supplied complete with support
Adjustable built-in twilight sensor for automatic activation and deactivation
LED SMD

MECHANICAL

Die cast aluminum body
Dimensions: 187x251x242mm (7.4x9.9x9.5in)
Unit weight:
• 1.7kg (3.7lb) (from 12Vdc up to 24Vdc, 24Vac)
• 2.2kg (4.8lb) (from 100Vac up to 240Vac)

ELECTRICAL

Power supply/Current consumption:
• From 12Vdc up to 24Vdc, 2.5A max
• 24Vac, 2.5A max, 50/60Hz
• From 100Vac up to 240Vac, 1.5A max, 50/60Hz
Power supply voltages permitted tolerance:
• From 120Vac up to 230Vac: ±10%
• 24Vac or 24Vdc: ±10%
• 12Vdc: ±5%
Input for activation by means of external dry contact
Dry contact output (Follow)
Multipolar cable L: 2m (6.56ft)
• Control: 4x0.34mm² (22AWG)
• Power supply from 12Vdc up to 24Vdc, 24Vac: 2x0.75mm² (18AWG)
• Power supply from 100Vac up to 240Vac: 3x0.75mm² (18AWG)

ENVIRONMENT

Indoor/Outdoor
Operating temperature: From -40°C (-40°F) up to +60°C (140°F)

CERTIFICATIONS

Electrical safety (CE): EN60950-1, IEC60950-1
Electromagnetic compatibility (CE): EN50130-4, IEC CISPR22 (Class A) , EN55022 (Class A), FCC Part 15 (Class A)
Outdoor installation (CE): EN60950-22, IEC60950-22
Photobiological safety (CE): EN62471
IP protection degree: EN60529, (IP66/IP67)
IK protection degree: EN62262 (IK10)
UL certification: cULus Listed (TYPE 4X)
EAC certification

PACKAGE

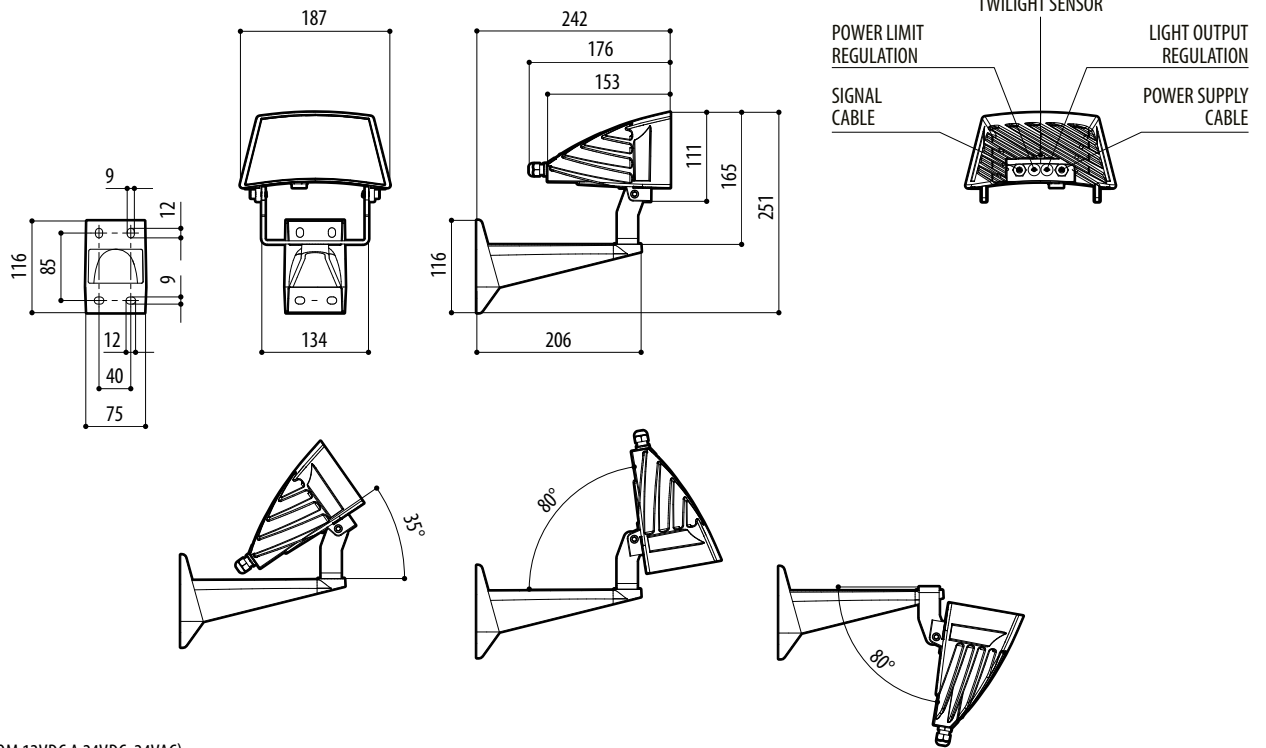
| Model Number | Weight | Dimensions (WxHxL) | Master carton |
|--------------|---------------|---------------------------|---------------|
| IRN10B8AS00 | 3Kg (6.6lb) | 30x24x16cm (12x9.5x6.3in) | - |
| IRN10A8AS00 | 3.5Kg (7.7lb) | 30x24x16cm (12x9.5x6.3in) | - |

GEKO IRN - BEAM PATTERN AND ACHIEVABLE DISTANCES FOR ONE ILLUMINATOR

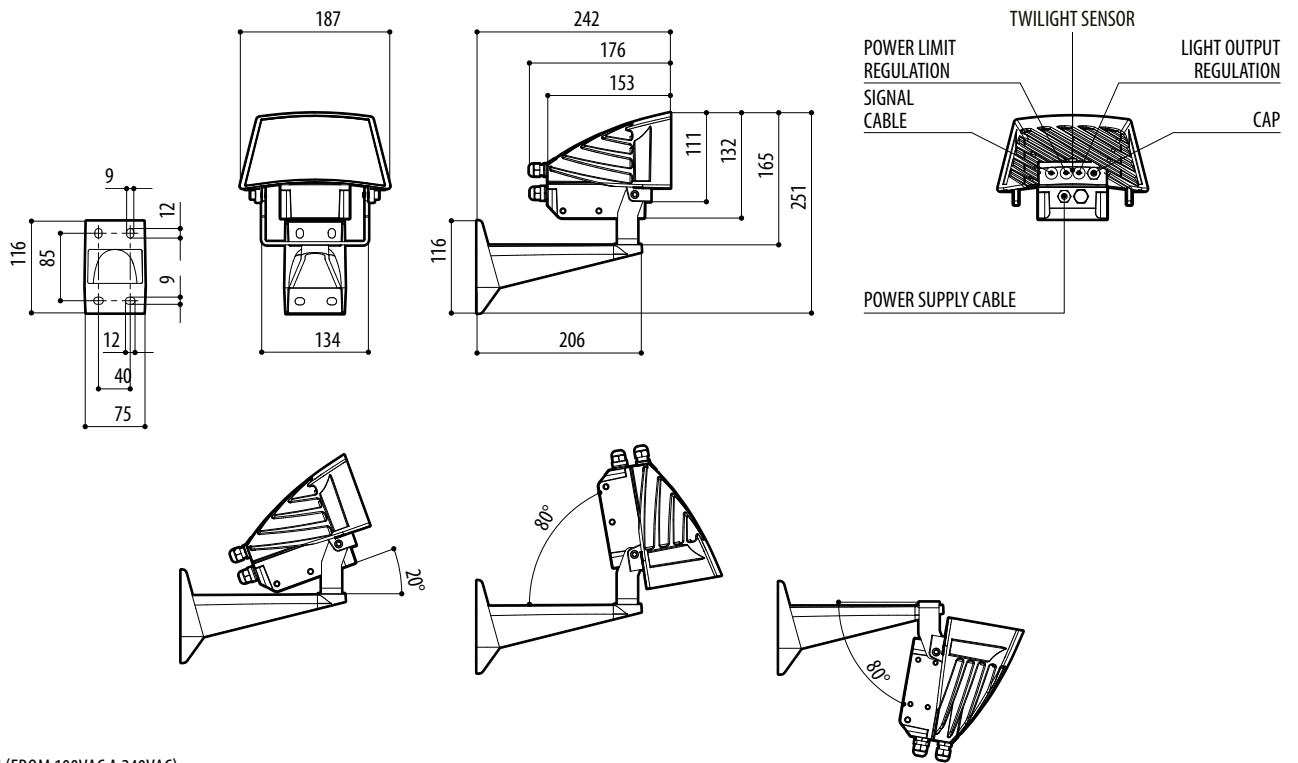
| Horizontal and vertical beam patterns | Maximum distance | | |
|---------------------------------------|------------------|--------------|---------------------------|
| | 850nm | 940nm | White light |
| 10° | 240m (787ft) | 140m (460ft) | - |
| 30° | 130m (427ft) | 80m (262ft) | 120m (393ft) ¹ |
| 60° | 80m (262ft) | 60m (197ft) | 90m (295ft) ¹ |

¹ Achievable distances with camera in Day mode (colour image)

The distances and the performance depend on the camera/lens used and on the environmental conditions.



GEKO IRN (FROM 12VDC A 24VDC, 24VAC).



GEKO IRN (FROM 100VAC A 240VAC).

